

survitecgroup

RFD

www.survitecgroup.com

survitecgroup

RFD

www.survitecgroup.com

## Surviva Liferaft

- Over 160 years technical expertise
- World leader
- Largest global service network
- Approved to global quality standards

MB09 Rev:009



EC Marine Equipment Directive  
certificates with associated Wheel Mark

0736/YY

**Survitec Group**  
**RFD Beaufort Limited**  
Kingsway, Dunmurry  
Belfast BT17 9AF, Northern Ireland  
**T:** +44 (028) 9030 1531 **F:** +44 (028) 9062 1765  
**E:** info@survitecgroup.com  
**www.survitecgroup.com**



With over 160 years industry experience Survitec Group remains market leader in design and manufacture of survival equipment.

#### OUR MISSION

Our mission is to continually strengthen our position as global leader in the supply of survival equipment to the maritime industry through customer focus, product excellence and technical innovation

#### CUSTOMER LOYALTY

The Survitec Group has a history stretching back to 1854 and has led the way in survival technology, securing its place as one of the most respected names in the marine survival industry today. The Survitec Group is committed to putting customers first. From design of product through to manufacture and delivery we strive to provide you with the safest, most reliable survival equipment available in the market today.

#### TECHNICAL SUPPORT

The Survitec Group's technical knowledge of marine survival products is second to none. Our dedicated Research and Development team work tirelessly to continuously improve each of our products, ensuring we are always ahead of the ever changing demands of today's marine industry.

#### SERVICE AND DISTRIBUTION

The Survitec Group has a global distribution network of over 80 distributors and agents. Each of our partners has comprehensive industry experience ensuring we can provide you with the best service possible.

Our vast servicing network of over 550 Survitec Group fully approved stations worldwide supports our commitment to ensuring our customers can access a servicing facility anywhere across the globe.

#### QUALITY ASSURANCE

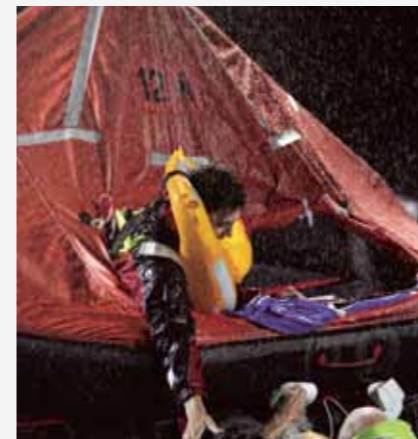
The Survitec Group is committed to maintaining the highest of quality standards across our entire product range. Our extensive quality team operates a Quality Management System which complies with all applicable regulations, such as ISO 9001 and AS9100. Our products have also been approved to the highest global standards such as Marine Equipment Directive (MED) 96/98/EC, United States Coast Guard (USCG), Russian Maritime Register of Shipping (RMRS), Transport Canada and Ministry of Land, Infrastructure, Transport and Tourism (MLIT)



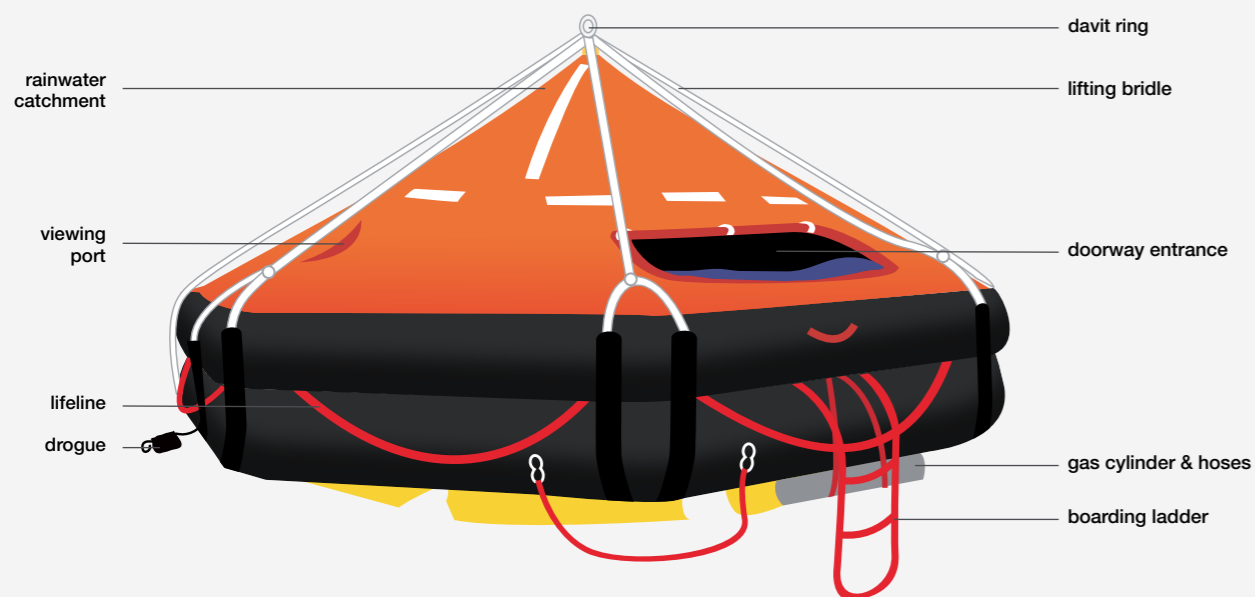


## **RFD** SURVIVA FEATURES

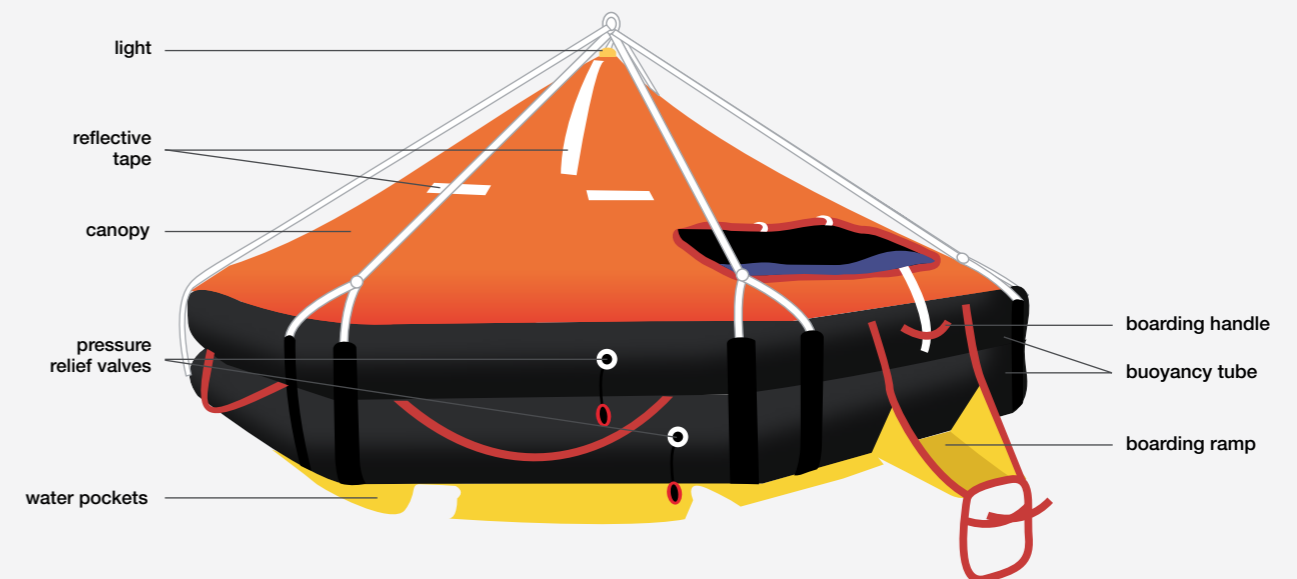
- Manufactured from corrosion and abrasion resistant polyurethane coated fabric (PU)
- Fully enclosed double skinned high visibility canopy complete with retro-reflective tape
- Non-inflatable easy access boarding ramp
- High volume water pockets to ensure maximum stability when inflated
- Canopy fitted with LED light ensuring maximum visibility.
- Fully insulated floor to ensure maximum thermal protection
- Stowed in lightweight streamlined GRP containers enabling maximum deck space utilisation
- Container options available
- Available in davit launch and throw over versions



### FRONT VIEW

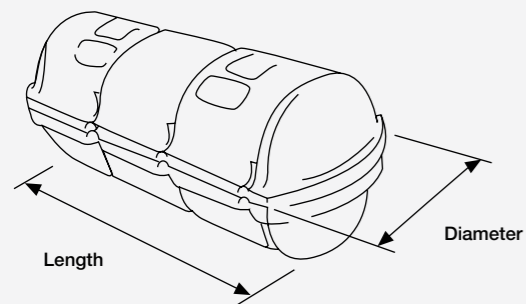


### BACK VIEW



\* Diagrams depict a Davit Launch Liferaft

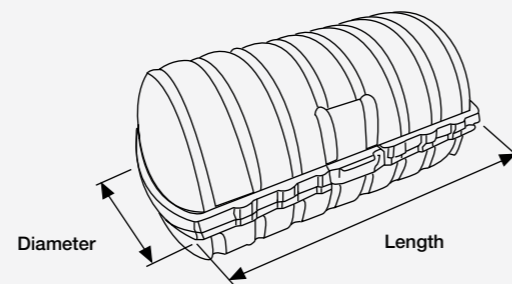
## MK10 cylindrical container



SOLAS A PACK			
Rated Capacity	Length mm	Diameter mm	Weight Approx Operational Kg
6	1260	485	76
8	1260	485	80
10	1390	535	100
12	1390	535	109
16	1530	530	137
20	1635	585	158
25	1635	585	178
12 DL	1390	535	114
16 DL	1530	530	139
20 DL	1635	585	160
25 DL	1635	585	183

SOLAS B PACK			
Rated Capacity	Length mm	Diameter mm	Weight Approx Operational Kg
6	1160	435	57
8	1160	435	57
10	1260	485	80
12	1260	485	85
16	1390	535	103
20	1540	530	109
25	1540	530	128
12 DL	1260	435	90
16 DL	1390	535	107
20 DL	1540	530	120
25 DL	1540	530	133

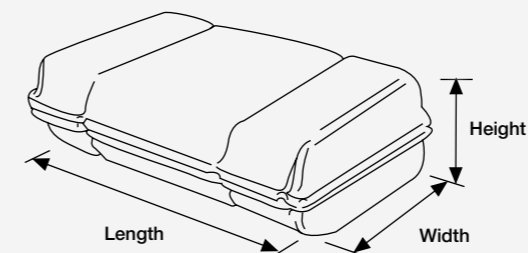
## MK14 cylindrical container



SOLAS A PACK			
Rated Capacity	Length mm	Diameter mm	Weight Approx Operational Kg
6	1066	556	76
10	1156	584	99
12	1156	584	106
16	1308	685	144
20	1308	685	160
25	1308	685	180
12 DL	1156	584	113
16 DL	1308	685	141
20 DL	1308	685	163
25 DL	1308	685	185

SOLAS B PACK			
Rated Capacity	Length mm	Diameter mm	Weight Approx Operational Kg
6	1066	556	57
10	1066	556	79
12	1156	584	79
16	1156	584	101
20	1156	584	106
25	1308	685	130
12 DL	1156	584	92
16 DL	1156	584	106
20 DL	1308	685	123
25 DL	1308	685	135

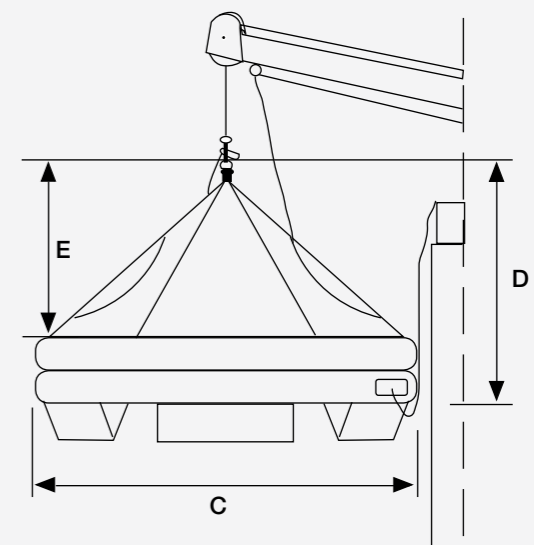
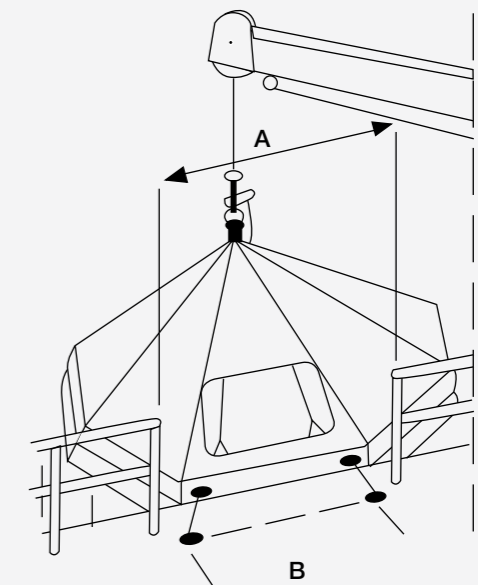
## Flat pack container



SOLAS A PACK				
Rated Capacity	Length mm	Width mm	Height mm	Weight Kg
6	985	670	435	76
8	985	670	435	86
10	1190	650	315	101
12	1190	650	315	110
20 DL	1525	829	505	160
25 DL	1525	820	505	183

SOLAS B PACK				
Rated Capacity	Length mm	Width mm	Height mm	Weight Kg
6	900	646	310	57
8	985	670	435	62
10	1190	650	315	85
12	1190	650	315	90
20 DL	-	-	-	-
25 DL	1525	820	505	153

## Davit launch raft heights



Rated Capacity	A mm	B mm	C mm	D mm	E mm
12	1600	1000	2860	1891	1300
16	1700	1000	3270	2065	1420
20	1800	1000	4070	2065	1400
25	1800	1000	4070	2270	1540