



SURVITEC ZODIAC LIFERAFT

THROW OVER SOLUTION ↓

Built to meet the needs of small passenger vessels, fishing vessels and high speed craft the Survitec Zodiac throw over liferaft is the first choice for many operators. This raft can be dropped from a height of up to 36 meters and meets all of the required approval standards.

Designed and manufactured out of our highly successful manufacturing facility in Chevanceaux, France, the throw over liferaft is chosen for its advanced design and unique method of construction. Additionally, due to the fabric weight and structure, Survitec Zodiac throw over liferafts are easy to service and fit in light, small sized but strong, glass reinforced containers.

FEATURES

- MANUFACTURED USING A DURABLE POLYURETHANE COATED FABRIC
- ASSEMBLED USING THERMOBONDING™ (ADVANCED HOT ASSEMBLY TECHNIQUE) ENSURING
 - CONSISTENT (COMPUTER-CONTROLLED TECHNIQUE)
 - INERT TO AGING FACTORS IN THE MARINE ENVIRONMENTS
 - EXTREMELY STRONG AND SAFE WHEN LOADED
- EASY TO SERVICE AND FIT IN SMALL LIGHT GLASS REINFORCED CONTAINER
- CAN BE DROPPED FROM UP TO 36 METERS
- GAB BAGS ARE SEALED IN STRONG WATERTIGHT BAGS, SECURED INSIDE THE LIFERAFT



4 – 37
persons



Designed and manufactured out of our highly successful manufacturing facility in Chevanceaux, France.

SURVITECZODIAC LIFERAFT

THROW OVER SOLUTION ↓

Container Options

The SurvitecZodiac throw over liferaft can be supplied in any of the following container options:

ROUND



LPC



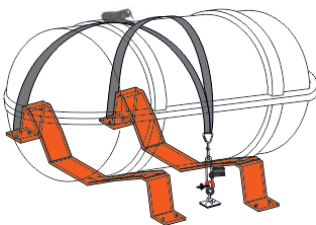
XTREM



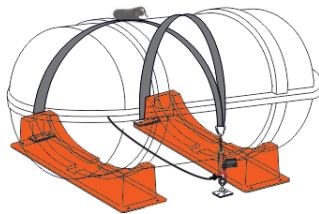
Cradle Options

The SurvitecZodiac throw over liferaft can be supplied with any of the following cradle options:

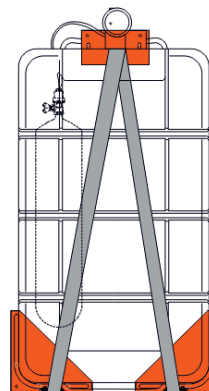
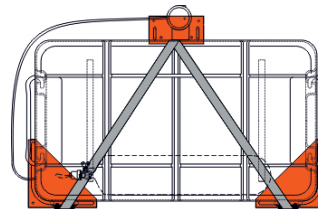
**Galvanized steel or
aluminium metallic deck
cradle**



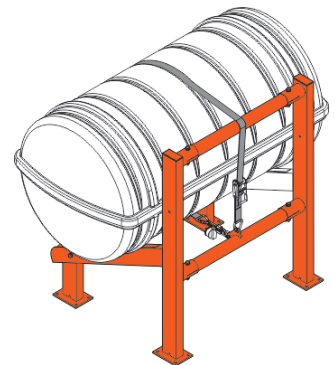
**Single or double
GRP deck cradle**



**LPC cradle with
horizontal or vertical
storage options**



**Single or multiple
tilting cradle**



Equipment Included

- Reflective tape
- External light
- Rain water collector
- Insulated floor
- Righting line
- Sea anchor
- Boarding ramp
- Water pockets (would be good to add detail here)
- Towing patch
- Relief valve
- Lifeline
- Canopy fastener

SURVITEC ZODIAC LIFERAFT

THROW OVER SOLUTION ↓

Round Container

TECHNICAL DATA			
CAPACITY	WEIGHT A PACK / B PACK	DIMENSIONS L x W x H (mm)	
		A PACK	B PACK
4	56 kg / 48 kg	1155 x 470 x 435	1155 x 470 x 435
6	76 kg / 57 kg	1260 x 520 x 485	1155 x 470 x 435
8	80 kg / 57 kg	1260 x 520 x 485	1155 x 470 x 435
10	99 kg / 80 kg	1156 x 612 x 584	1260 x 520 x 485
12	108 kg / 85 kg	1156 x 612 x 584	1260 x 520 x 485
16	139 kg / 101 kg	1308 x 713 x 685	1156 x 612 x 584
20	160 kg / 106 kg	1308 x 713 x 685	1156 x 612 x 584
25	180 kg / 130 kg	1308 x 713 x 685	1308 x 713 x 685
37	250 kg / 163 kg	1560 x 852 x 835	1450 x 800 x 740
50	434 kg / 221 kg	1560 x 952 x 960	1560 x 852 x 835

LPC (Low profile container)

TECHNICAL DATA			
CAPACITY	WEIGHT A PACK / B PACK	DIMENSIONS L x w x h (mm)	
		A PACK	B PACK
4	54 kg / 46 kg	924 x 574 x 359	924 x 574 x 359
6	76 kg / 57 kg	985 x 670 x 435	985 x 670 x 435
8	86 kg / 62 kg	985 x 670 x 435	985 x 670 x 435
10	101 kg / 85 kg	1190 x 650 x 315	1190 x 650 x 315
12	110 kg / 90 kg	1190 x 650 x 315	1190 x 650 x 315
16	126 kg / 87 kg	1160 x 752 x 505	1160 x 730 x 408
20	141 kg / 95.5 kg	1160 x 752 x 505	1160 x 730 x 408

XTREM (Compact container)

TECHNICAL DATA			
CAPACITY	WEIGHT A PACK / B PACK	DIMENSIONS L x w x h (mm)	
		A PACK	B PACK
6	58 kg / 42 kg	985 x 670 x 435	985 x 670 x 435
8	74 kg / 54 kg	985 x 670 x 435	985 x 670 x 435
10	85 kg / 60 kg	1190 x 650 x 315	1190 x 650 x 315
12	96 kg / 64 kg	1190 x 650 x 315	1190 x 650 x 315
16	120 kg / 82 kg	1160 x 752 x 505	1160 x 730 x 408

APPROVALS

SOLAS regulation, HSC code, LSA code, EC (MED), USCG, TC, RMRS and CCS



SETTING THE GLOBAL STANDARD FOR OVER 160 YEARS

Protecting over 1 million lives across the globe every day, our critical safety and survival solutions help marine, aviation, offshore, and defence personnel get home safely if the worst happens.

Taking responsibility for the entire product lifecycle – from precision engineering and R&D, to manufacturing and servicing – we never compromise when it comes to safety and survival. Committed to protecting lives, we know the small things matter.



GET IN TOUCH

Phone +33 (0)5 40 16 19 11

Email surviteczodiac@survitecgroup.com

www.survitecgroup.com

Route de Chatenet, 17210 Chevanceaux, FRANCE